



# M I D N I T E S O L A R

**M**idNite Solar offers a range of PV Combiners from our MNPV3 to the MNPV16. This range of combiners accommodates PV systems as small as a two string off grid cabin up to 16 strings for a 100KW commercial grid tie inverter. The MNPV series of combiners are the result of 20 years of design and manufacturing experience in the renewable energy industry. Each unit has the same quality features such as:

- \* Aluminum rainproof type 3R enclosure
- \* Internal plastic injection molded dead front covers
- \* Knock outs that accept waterproof strain reliefs, conduit or panel mount MC type connectors
- \* Knock outs for lightning arrestors
- \* Uses 150VDC & 300VDC breakers or 600VDC fuses depending on model number
- \* ETL listed to UL1741 for use in the US and Canada
- \* Adaptable for two separate inverters or charge controllers on certain models



## MNPV 16-250



*Shown with 12 300VDC breakers with deadfront installed (metal lid removed)*



*Shown with deadfront & lid removed*



***Been mooned lately?***

[www.midnitesolar.com](http://www.midnitesolar.com)

# PV Combiner: MNPV16-250

Model	Max VDC	Max # of Input Circ.	PV Source Circuits			PV Output Circuits			Approved Mounting Orientation	Enclosure Type/Material	Listing
			Max OCPD Rating Amps	OCPD	Wire Range AWG	Max # of Output Circ.	Max Cont. Current Amps	Wire Range AWG			
MNPV3 (LV)	150	3	20	CB 150V	14-6	1	60	14-1/0	90 to 14°	3R/Alum	UL1741
MNPV3 (HV)	600	2	20	FUSE	14-6	1	60	14-1/0	90 to 14°	3R/Alum	UL1741
MNPV6 (LV)	150	6	20	CB 150V	14-6	2	120	14-1/0	90 to 14°	3R/Alum	UL1741
MNPV6 (HV)	600	4	20	FUSE	14-6	2	80	14-1/0	90 to 14°	3R/Alum	UL1741
MNPV12 (LV)	150	12	30	CB 150V	14-6	2	200	14-2/0	90 to 14°	3R/Alum	UL1741
MNPV12 (HV)	600	10	30	FUSE	14-6	2	200	14-2/0	90 to 14°	3R/Alum	UL1741
MNPV12-250	300	6	50	CB 300V	14-6	2	168	14-2/0	90 to 14°	3R/Alum	UL1741
MNPV16 (HV)	600	16	15	FUSE	14-6	1	240	250MCM	90 to 14°	3R/Alum	UL1741
MNPV16-250	300	12	20	CB 300V	14-6	1	240	14-2/0	90 to 14°	3R/Alum	UL1741

NOTE: All of the connections have a 90 deg C rating except the 2/0 positive lug that carries a 75 deg C rating. MidNite can supply 1/0 lugs to substitute in these cases where 90 deg C is required.

MNPV16-250 (For use with 300VDC breakers for high powered, high voltage off-grid applications)  
 Gray aluminum type 3R rainproof enclosure with insulating dead front, will accept 12 – 300 VDC breakers.  
 Includes 21 position PV negative bus bar, 18 position ground bus bar, and 240 amp plus and minus busbars.

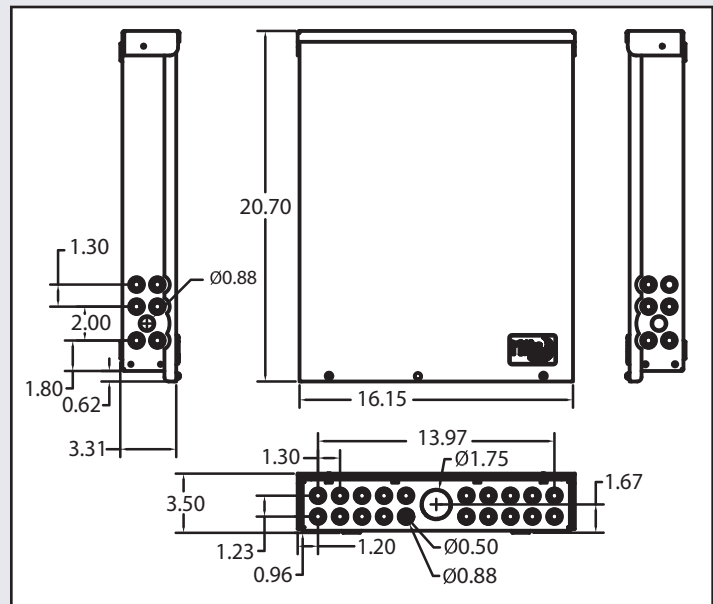
Breakers/fuse holders sold separately  
 Boxed size: 22 x 18 x 5 Weight: 13 Lbs.

300VDC breakers are available from MidNite Solar up to 50 amps per string.

MidNite Solar also offers a din rail mount 50 amp/300VDC DC-GFP for those controllers that require it.

NEC 2008 requires DC-GFP's on all PV systems

Touch safe fuse holders and fuses are not recommended for use with charge controllers as they may catch fire when opened under load.



ETL Listed for US & Canada



17722—67th Ave NE, Unit C, Arlington WA 98223  
 Ph 360.403.7207 Fax 360.691.6862  
<http://www.midnitesolar.com>

