

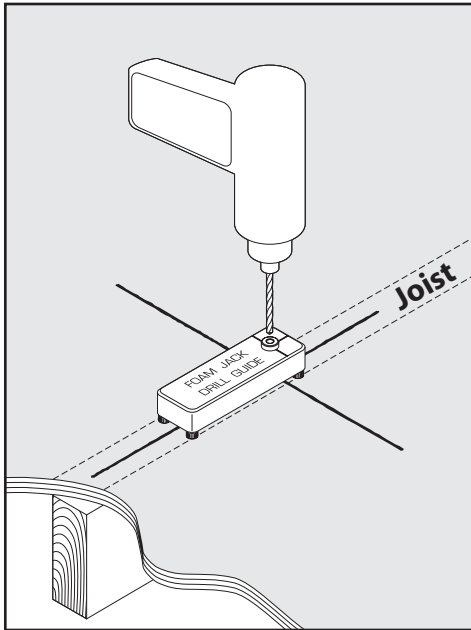
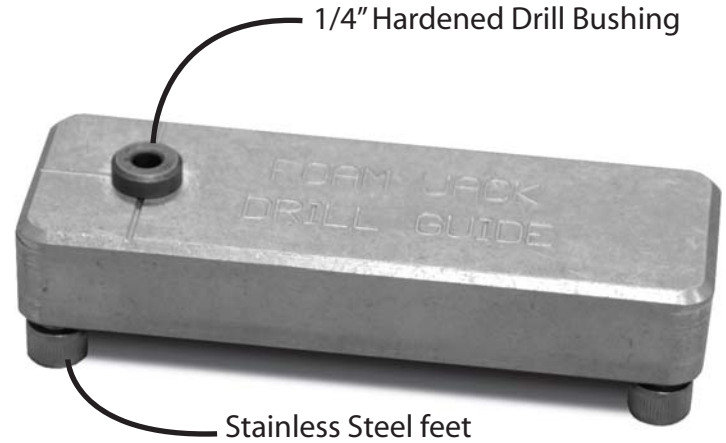
The FoamJack® drill guide is a valuable tool necessary for installing the FoamJack® and Commercial FastJack® products. This tool insures the installer drills an accurate pilot hole 90° to the rafter for optimum strength. Features aluminum construction with stainless steel feet and a 1/4" hardened steel drill bushing for lasting durability.

SPECIFICATIONS

Materials: Tumbled Aluminum, stainless steel stabilizer feet & hardened steel 1/4" drill bushing

Product Integration: FoamJack® & Commercial FastJack®

Order #s: FMJ-DRILL



(800) 967-6917
www.dcpower-systems.com