

INSTALLATION INSTRUCTIONS FOR SERIES 130-6 TOP-OF-POLE MOUNTS

Made to Mount on 6" SCH40 Poles and Carry up to 130 Sq. Ft. of Modules

COMPONENTS:

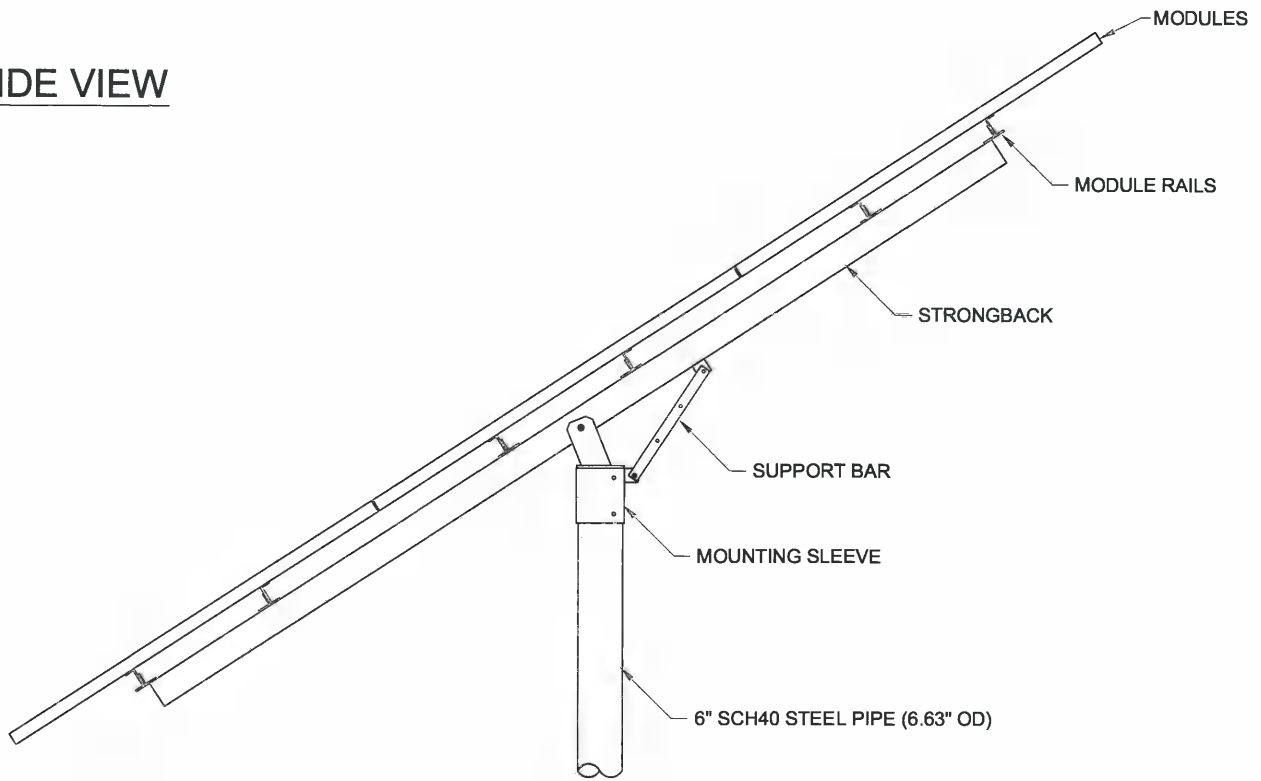
- 1 Strongback w/Support Bar
- 1 Mounting Sleeve w/Pivot Bolt
- 6 Module Rails – 3"X1.5"X.130" aluminum channel
- 1 Set 3/8" rack assembly hardware
- 1 Set module mounting hardware (1/4" or 5/16" depending on module brand)

1. This rack is made to mount on an installer-supplied pole made from a piece of 6" SCH40 steel pipe (6-5/8" OD). This piece of pipe should be 13-14 feet long. Dig a hole 24"-30" in diameter and 60"-72" deep. Put the pole into the hole and pour concrete around it, filling the hole to the top. Brace the pole so that it is straight and let the concrete set up. If you live in an area with deep snow build-up you may want a taller pole. For every extra foot above ground you need to have about 6"-8" more in the ground in concrete.
2. Bolt the Mounting Sleeve to the Strongback and attach the free end of the Support Bar to the Angle Adjustment Plate on the Strongback. Bolt it to the hole farthest away from the pivot bolt in the Strongback.
3. Place the Strongback/Mounting Sleeve Assembly on the mounting pole, aim it south and lock it in place by tightening the two set screws on the sleeve.
4. This rack has six elevation angle set points. They are: 15, 25, 35, 45, 55 and 65 degrees. For assembly and module mounting it is probably easiest to lock the rack in the flattest (15 degree) position.
5. Bolt the Module Rails to the Strongback as shown in the drawing using the 3/8"x1" hex bolts, 3/8" flat washers, lock washers and nuts.
6. Attach your photovoltaic modules to the Module Rails using the 1/4" stainless steel hardware provided. Leave the bolts finger tight until all of the modules are mounted.
7. Make sure all rack and module bolts are tight.

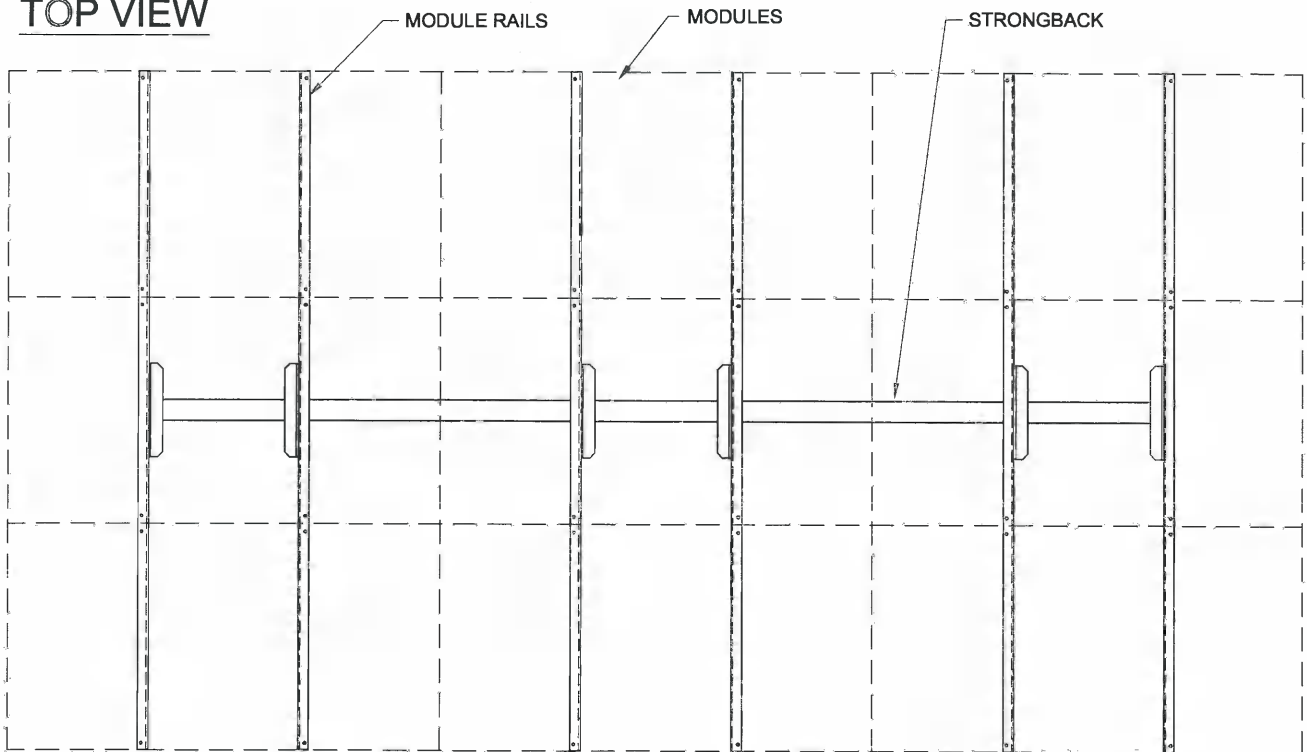
When changing the elevation setting, loosen the pivot bolt before adjusting the rack. After changing the position of the **Support Bar** and tightening the two 3/8" bolts you must re-tighten the pivot bolt – **this bolt cannot be left loose** – the towers on the mounting sleeve must firmly clamp the Strongback.

SERIES 130-6

SIDE VIEW



TOP VIEW



END VIEW

