

INSTALLATION INSTRUCTIONS FOR SERIES 85-6 TOP-OF-POLE MOUNTS

Made to Mount on 6" SCH40 Poles and Carry up to 85 Sq. Ft. of Modules

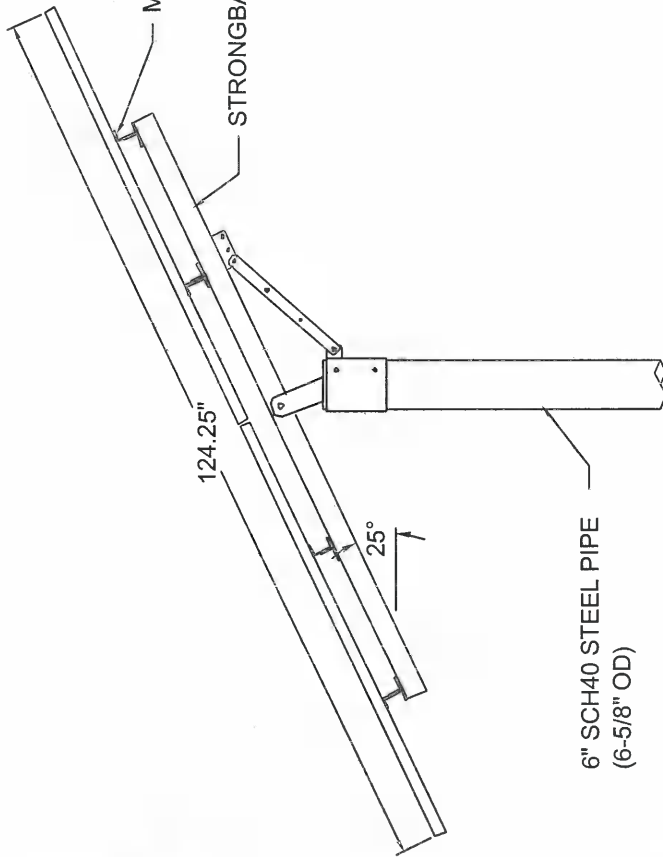
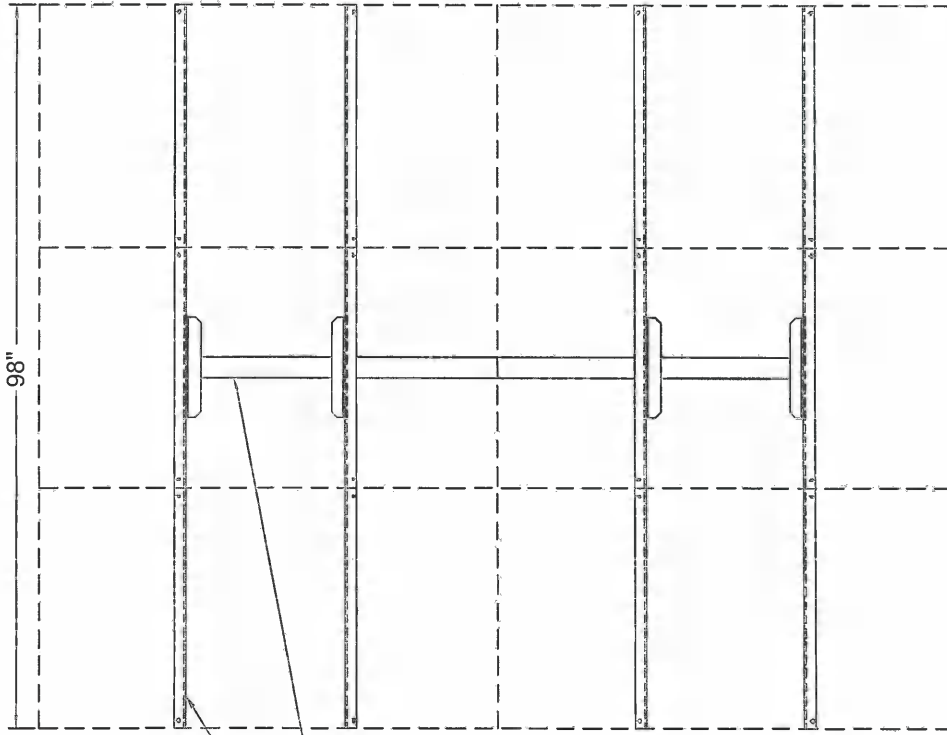
COMPONENTS:

- 1 Strongback w/Support Bar
- 1 Mounting Sleeve w/Pivot Bolt
- 4 Module Rails
- 1 Set 3/8" rack assembly hardware
- 1 Set 1/4" module mounting hardware

1. This rack is made to mount on an installer-supplied pole made from a piece of 6" SCH40 steel pipe (6-5/8" OD). This piece of pipe should be 10-11 feet long. Dig a hole 18"-24" in diameter and 48"-54" deep. Put the pole into the hole and pour concrete around it, filling the hole to the top. Brace the pole so that it is straight and let the concrete set up. If you live in an area with deep snow build-up you may want a taller pole. For every extra foot above ground you need to have about 8" more in the ground in concrete.
2. Place the **Strongback/Mounting Sleeve** Assembly on the mounting pole, aim it south and lock it in place by tightening the two set screws on the sleeve.
3. This rack has six elevation angle set points. They are: 15, 25, 35, 45, 55 and 65 degrees. For assembly and module mounting it is probably easiest to lock the rack in the flattest (15 degree) position.
4. Bolt the **Module Rails** to the **Strongback** as shown in the drawing using the 3/8"x1" hex bolts, 3/8" flat washers, lock washers and nuts. The north- and south-end module rails point out and the two inner module rails point in.
5. Attach your photovoltaic modules to the **Module Rails** using the 1/4" stainless steel hardware provided. Leave the bolts finger tight until all of the modules are mounted.
6. Make sure all rack and module bolts are tight.
7. When changing the elevation setting, loosen the pivot bolt before adjusting the rack. After changing the position of the **Support Bar** and tightening the two 3/8" bolts be sure to re-tighten the pivot bolt – **this bolt must be tight – the towers have to clamp against the Strongback.**

SIDE VIEW

TOP VIEW



MODULE RAILS

STRONGBACK

124.25"

25°

6" SCH40 STEEL PIPE
(6-5/8" OD)

DIRECT POWER & WATER CORPORATION

TITLE: DP-TPM6-SH165-SH185

FOR: NR

ENGINEER: JR

DWG. NO.

DATE: 6-30-05

THIS DRAWING IS THE PROPERTY OF DIRECT POWER & WATER CORPORATION AND CANNOT BE USED, COPIED, OR DISCLOSED WITHOUT PERMISSION

TPM4-16 ADJ

