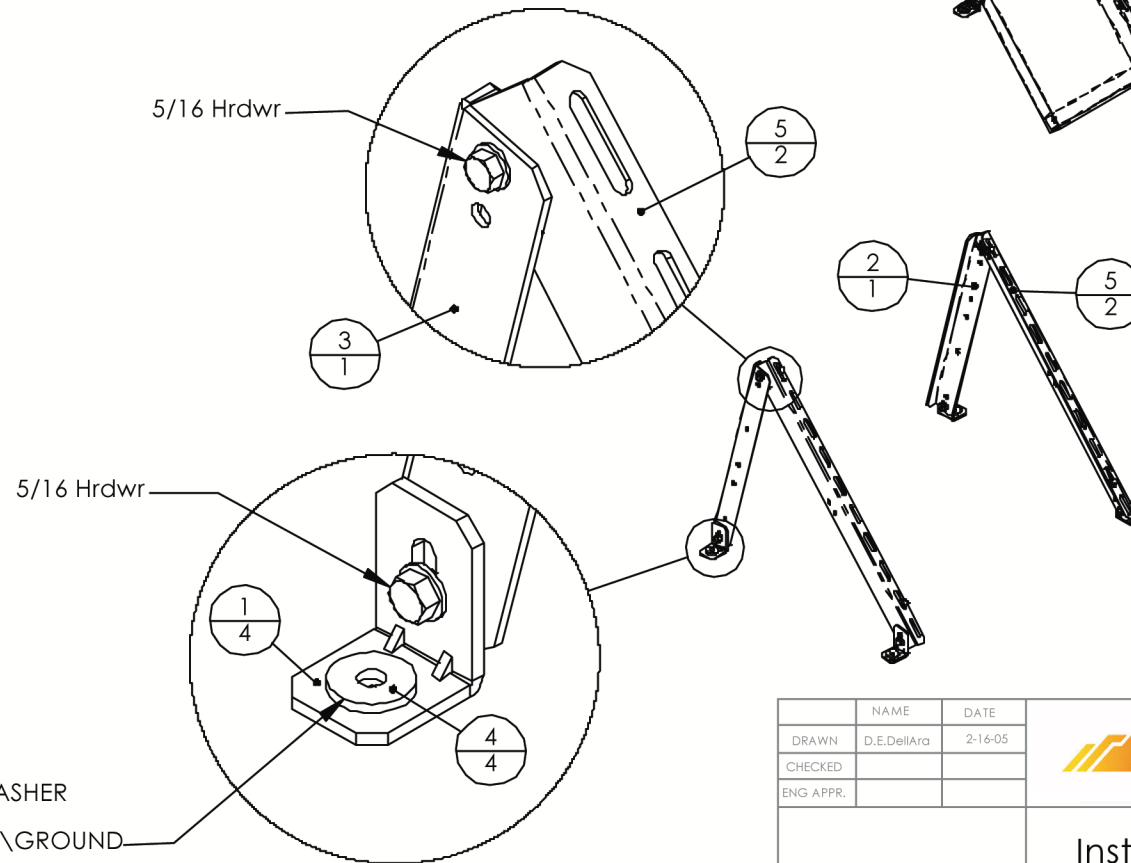
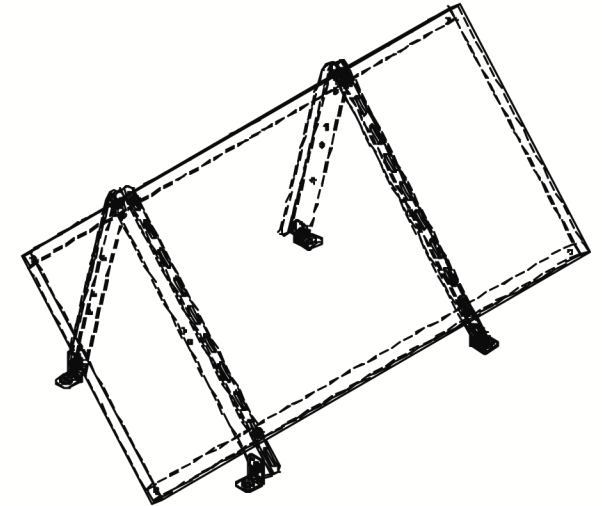


ITEM NO.	QTY.	PART NO.	DESCRIPTION
1	4	51-6000-002	FOOT, GPS ADJUSTABLE
2	1	51-0519-000	Rail, 19" Outer
3	1	51-0519-001	Rail, 19" Inner
4	4	25-3102-004	Washer, backing cust supplied
5	2	51-0525-001	Rail, 25in SOP-TOP
7	4	23-2520-050	Bolt, 1/4-20 x 3/4 Hex CS SS.
8	4	25-2502-000	Washer, flat 1/4" SS.
9	4	25-2501-000	Washer, Lock 1/4" med split SS
10	4	24-2520-440	Nut, 1/4-20 Fin Hex SS
11	12	25-3102-000	Washer, flat 5/16" SS.
12	6	25-3101-000	Washer, Lock 5/16" med split SS
13	6	23-3118-021	Bolt, 5/16-18 x 3/4 Hex CS SS.
14	6	24-3118-440	Nut, 5/16-18 Fin Hex SS

REVISIONS			
REV.	DESCRIPTION	DATE	APPROVED
A	Release for Reference	2-16-05	D.E.Dell'Ara
B	REPLACED NU FEET	3-14-07	VZ



	NAME	DATE
DRAWN	D.E.Dell'Ara	2-16-05
CHECKED		
ENG APPR.		



Instructions, UNI-GR-01

SIZE <b>A</b>	DWG. NO. 91-0300-002	REV. <b>B</b>
------------------	-------------------------	------------------

SCALE:1:1

SHEET 1 OF 1

PROPRIETARY AND CONFIDENTIAL

THE INFORMATION CONTAINED IN THIS DRAWING IS THE SOLE PROPERTY OF IRONRIDGE.  
ANY REPRODUCTION IN PART OR AS A WHOLE WITHOUT THE WRITTEN PERMISSION OF IRONRIDGE IS PROHIBITED.

DO NOT SCALE DRAWING