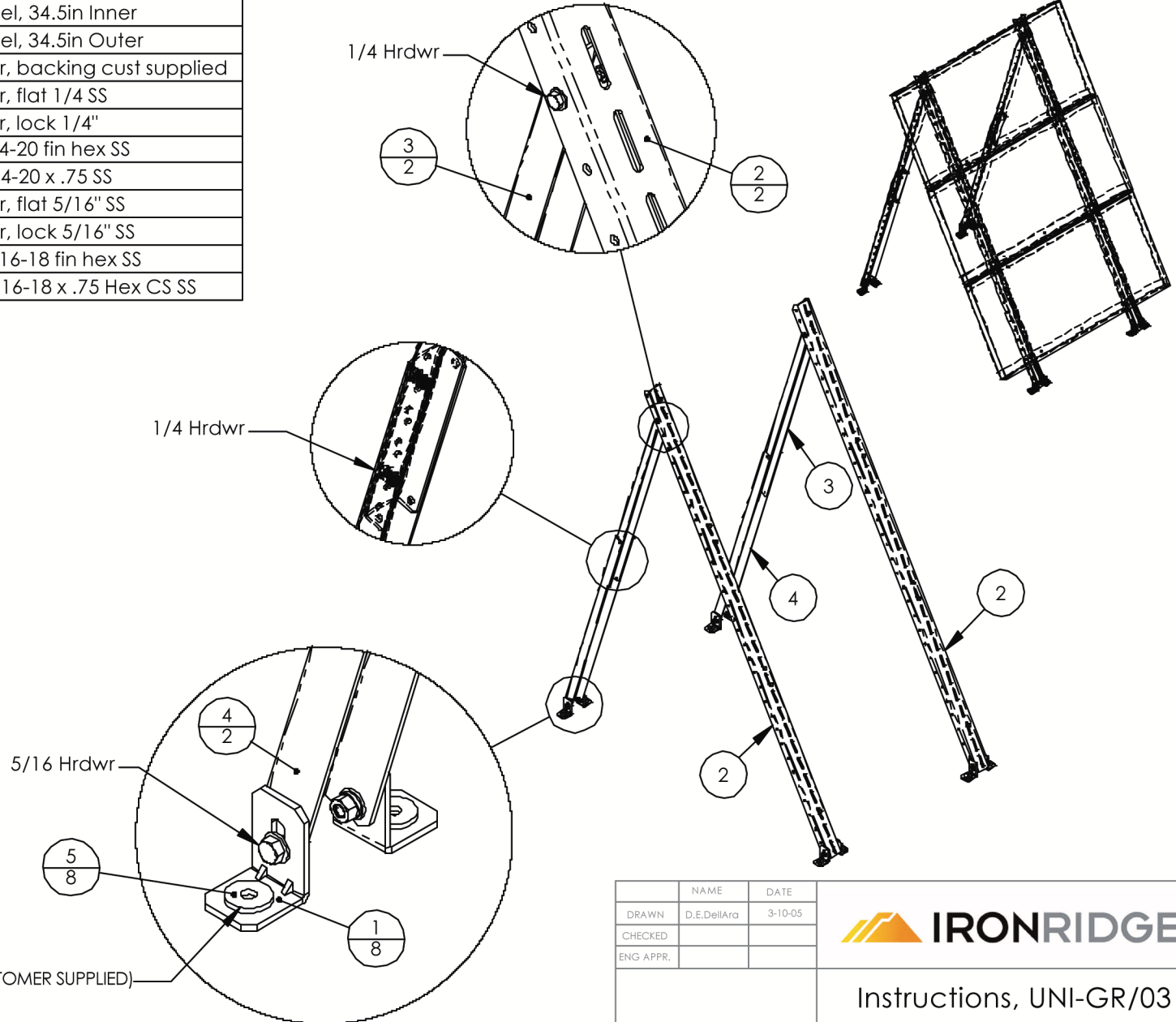


ITEM NO.	QTY.	PART NO.	DESCRIPTION
1	8	51-6000-002	FOOT,GPS ADJUSTABLE
2	2	51-0570-000	Channel, 70in GR
3	2	51-0534-000	Channel, 34.5in Inner
4	2	51-0534-001	Channel, 34.5in Outer
5	8	25-3102-004	Washer, backing cust supplied
6	28	25-2502-000	Washer, flat 1/4 SS
7	20	25-2501-000	Washer, lock 1/4"
8	20	24-2520-440	Nut, 1/4-20 fin hex SS
9	20	23-2520-050	Bolt, 1/4-20 x .75 SS
11	16	25-3102-000	Washer, flat 5/16" SS
12	8	25-3101-000	Washer, lock 5/16" SS
13	8	24-3118-440	Nut, 5/16-18 fin hex SS
14	8	23-3118-021	Bolt, 5/16-18 x .75 Hex CS SS

REVISIONS			
REV.	DESCRIPTION	DATE	APPROVED
A	Release for production	3-10-05	D.E.Dell'Ara
B	REPLACED NU FEET	3-21-07	VZ



NOTE: MUST INSTALL BACKING WASHER (CUSTOMER SUPPLIED) PRIOR TO ATTACHMENT TO ROOF/GROUND.

	NAME	DATE
DRAWN	D.E.Dell'Ara	3-10-05
CHECKED		
ENG APPR.		



Instructions, UNI-GR/03

SIZE	DWG. NO.	REV.
A	91-0300-005	B

SCALE:1:1	SHEET 1 OF 2
-----------	--------------

PROPRIETARY AND CONFIDENTIAL

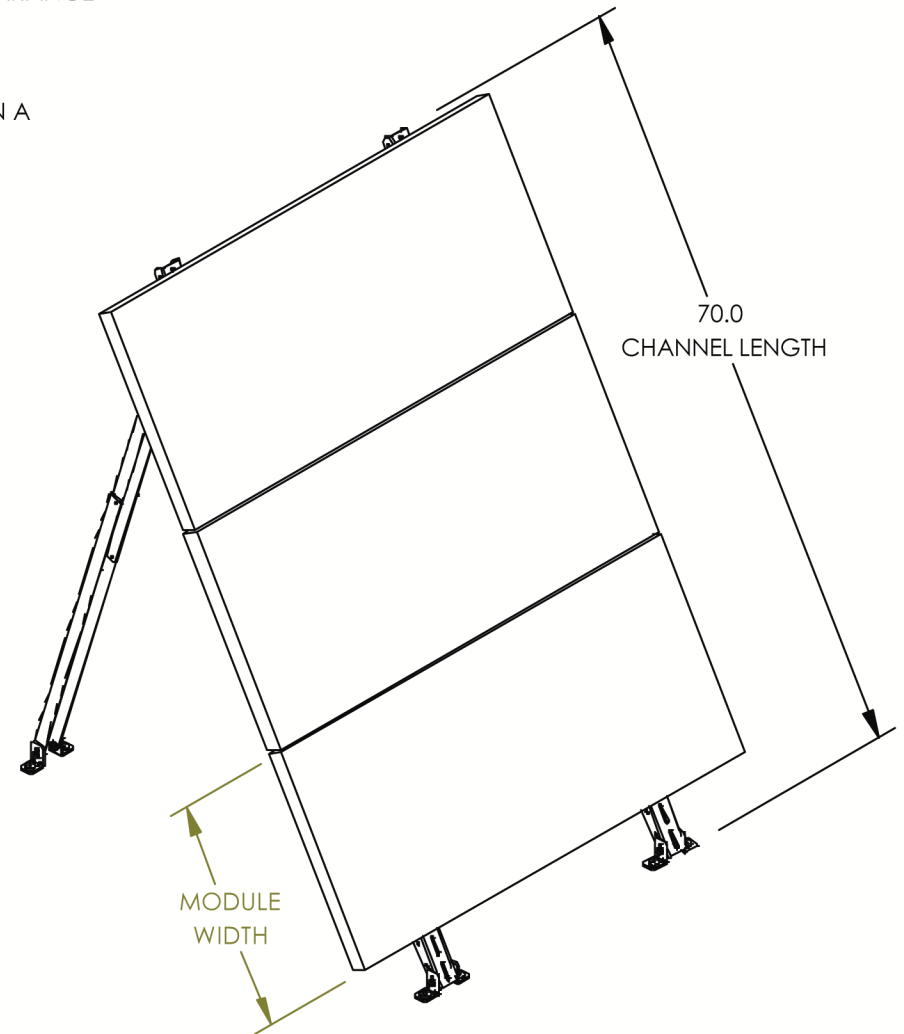
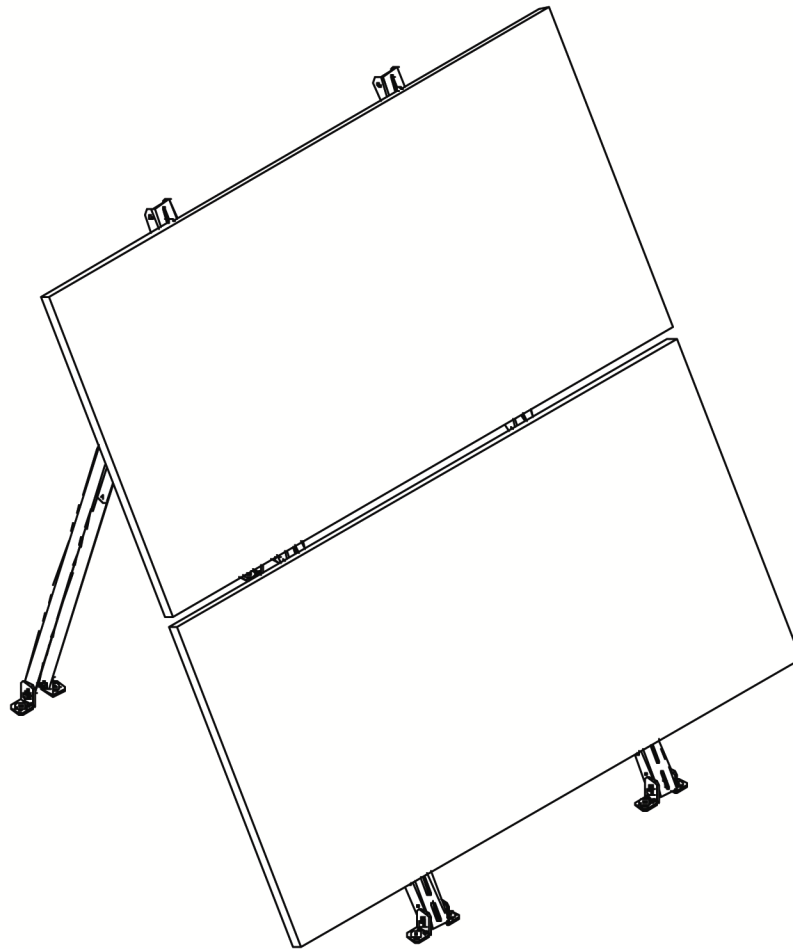
THE INFORMATION CONTAINED IN THIS DRAWING IS THE SOLE PROPERTY OF IRONRIDGE. ANY REPRODUCTION IN PART OR AS A WHOLE WITHOUT THE WRITTEN PERMISSION OF IRONRIDGE IS PROHIBITED.

DO NOT SCALE DRAWING

NOTE: OUR MOUNTS CAN HOLD A VARIETY OF DIFFERENT MODULE CONFIGURATIONS AS INDICATED ON THIS PAGE. TO VERIFY FIT, DIVIDE THE CHANNEL (MODULE SUPPORT) LENGTH BY THE MODULE WIDTH. ALWAYS ALLOW 1-2 INCHES EXTRA CHANNEL LENGTH PER MODULE TO ALLOW FOR CLEARANCE BETWEEN MODULES, ETC.

IE: THIS MOUNT HAS A 70" CHANNEL (MODULE SUPPORT) LENGTH. TO CONFIRM THE FIT FOR A 21.1" WIDE MODULE (BP 380 FOR EXAMPLE) DIVIDE 70" (THE CHANNEL LENGTH) BY 21.1" (THE MODULE WIDTH) AND IT IS FOUND THAT (3) OF THE BP MODULES WILL FIT ON A 70" CHANNEL WITH 6.7" EXTRA RAIL TO SPARE FOR MODULE CLEARANCE, ETC.

REVISIONS		DATE	APPROVED
REV.	DESCRIPTION		



NAME	DATE
DRAWN D.E.DellAra	7-1-04
CHECKED	
ENG APPR.	



Instructions, UNI-GR/03
Supplemental Sheet

SIZE A	DWG. NO. 91-0300-005	REV. B
------------------	-------------------------	------------------

SCALE:1:1	SHEET 2 OF 2
-----------	--------------

PROPRIETARY AND CONFIDENTIAL

THE INFORMATION CONTAINED IN THIS DRAWING IS THE SOLE PROPERTY OF IRONRIDGE. ANY REPRODUCTION IN PART OR AS A WHOLE WITHOUT THE WRITTEN PERMISSION OF IRONRIDGE IS PROHIBITED.

DO NOT SCALE DRAWING