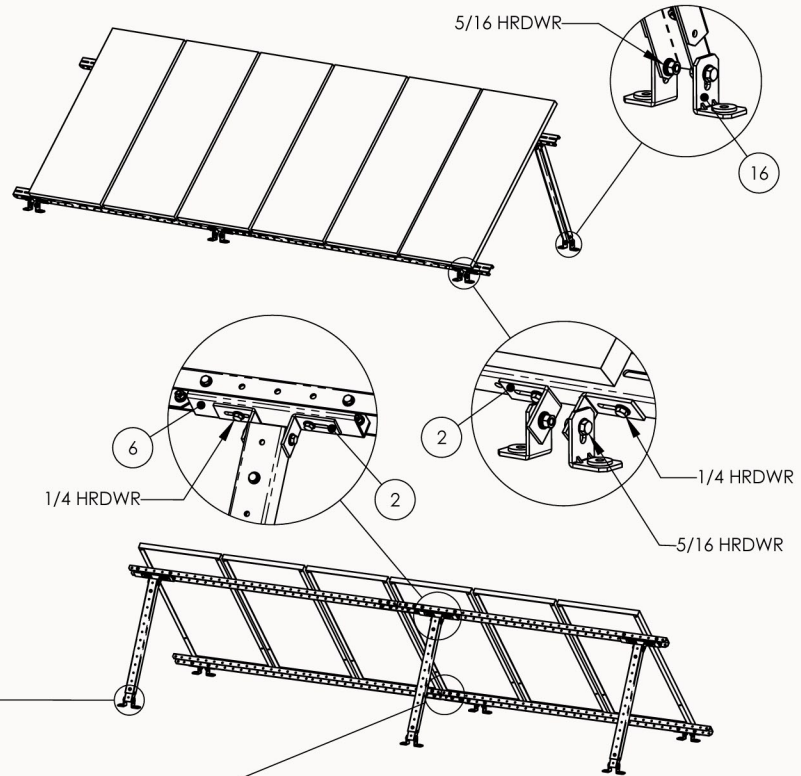


ITEM NO.	PART NUMBER	DESCRIPTION	QTY.
1	51-0580-000	Channel, 80" GR	4
2	51-0627-038	Clip, single 160 Horizontal	12
3	51-0528-000	Channel, 28in Inner.	3
4	51-0528-001	Channel, 28in Outer.	3
5	51-0627-003	Connector, 10.0" Ground	2
6	51-0627-031	Adapter, Vert - Horiz	3
8	23-2520-050	Bolt, 1/4-20 x .75 SS	168
9	25-2502-000	Washer, flat 1/4 SS	312
10	25-2501-000	Washer, lock 1/4"	168
11	24-2520-440	Nut, 1/4-20 fin hex SS	156
12	25-3102-000	Washer, flat 5/16" SS	48
13	23-3118-021	Bolt, 5/16-18 x .75 SS	24
14	25-3101-000	Washer, lock 5/16" SS	24
15	24-3118-440	Nut, 5/16-18 fin hex SS	24
16	51-6000-002	Foot, GPS.	12
17	25-3102-004	Washer, backing cust supplied	12
18	24-2520-440	Nut, 1/4-20 Fin Hex SS	12

REV.	REVISIONS	DATE	APPROVED
-	Release for Reference	8-16-05	D.E.DellAra
B	Changed to GPS foot, added backing washer callout.	6-7-07	D.E.DellAra



NOTE: MUST INSTALL BACKING WASHER (CUSTOMER SUPPLIED) PRIOR TO ATTACHMENT TO ROOF\GROUND

	NAME	DATE
DRAWN	D.E.DellAra	7-1-04
CHECKED		
ENG APPR.		

**IRONRIDGE**

Instr, UNI-GR-06AH  
Supplemental Sheet

SIZE	DWG. NO.	REV.
A	91-0400-009	-

SCALE: 1:8 SHEET 2 OF 2

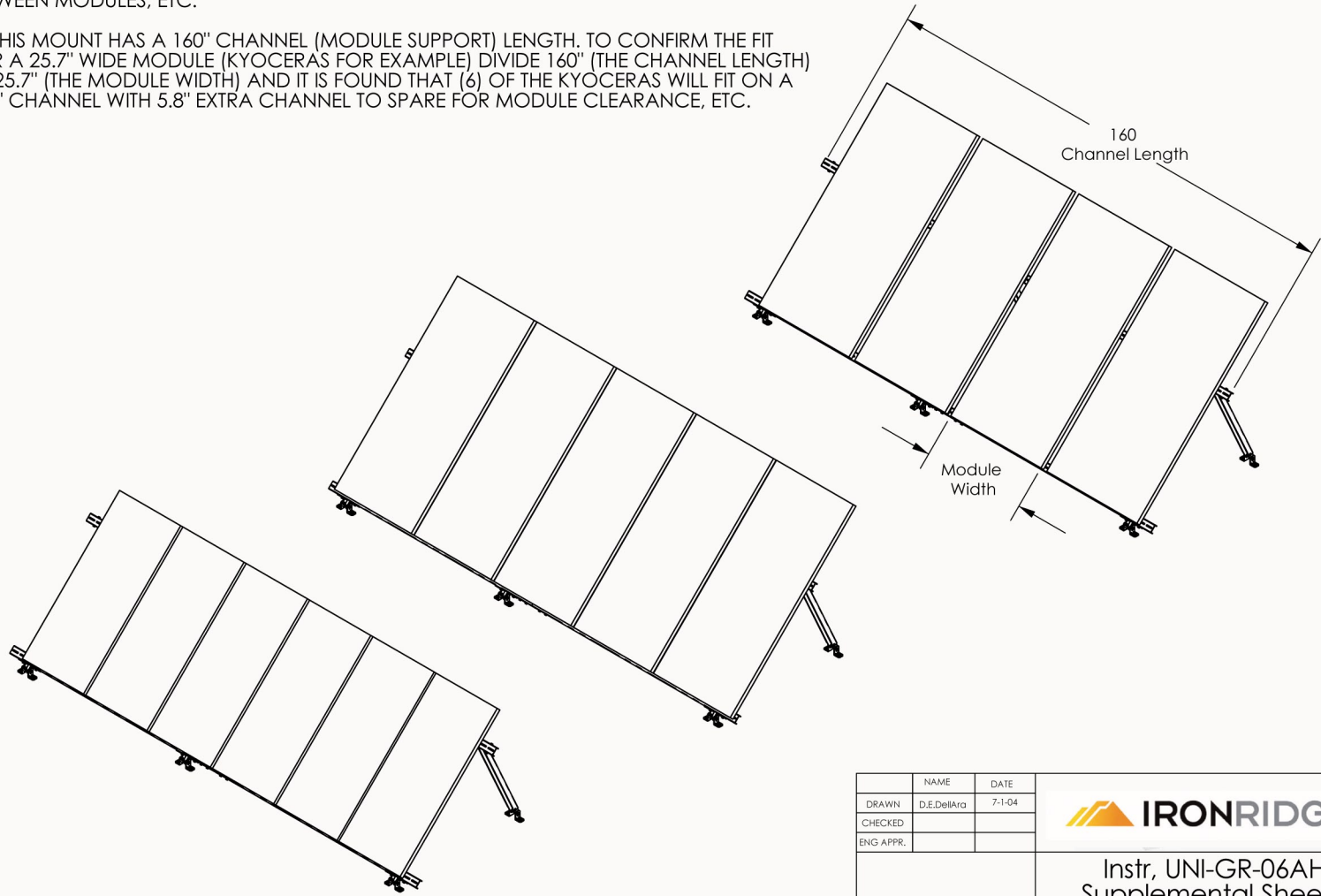
PROPRIETARY AND CONFIDENTIAL  
THE INFORMATION CONTAINED IN THIS DRAWING IS THE SOLE PROPERTY OF IRONRIDGE.  
ANY REPRODUCTION IN PART OR AS A WHOLE WITHOUT THE WRITTEN PERMISSION OF IRONRIDGE IS PROHIBITED.

DO NOT SCALE DRAWING

REVISIONS		DATE	APPROVED
REV.	DESCRIPTION		
-	Release for Reference	7-1-04	D.E.Dell'Ara

NOTE: OUR MOUNTS CAN HOLD A VARIETY OF DIFFERENT MODULE CONFIGURATIONS AS INDICATED ON THIS PAGE.  
 TO VERIFY FIT, DIVIDE THE CHANNEL (MODULE SUPPORT) LENGTH BY THE MODULE WIDTH.  
 ALWAYS ALLOW 1-2 INCHES EXTRA CHANNEL LENGTH PER MODULE TO ALLOW FOR CLEARANCE BETWEEN MODULES, ETC.

IE: THIS MOUNT HAS A 160" CHANNEL (MODULE SUPPORT) LENGTH. TO CONFIRM THE FIT FOR A 25.7" WIDE MODULE (KYOCERAS FOR EXAMPLE) DIVIDE 160" (THE CHANNEL LENGTH) BY 25.7" (THE MODULE WIDTH) AND IT IS FOUND THAT (6) OF THE KYOCERAS WILL FIT ON A 160" CHANNEL WITH 5.8" EXTRA CHANNEL TO SPARE FOR MODULE CLEARANCE, ETC.



	NAME	DATE
DRAWN	D.E.Dell'Ara	7-1-04
CHECKED		
ENG APPR.		



Instr, UNI-GR-06AH  
 Supplemental Sheet

SIZE	DWG. NO.	REV.
A	91-0400-009	-

SCALE: 1:8	SHEET 2 OF 2
------------	--------------

PROPRIETARY AND CONFIDENTIAL  
 THE INFORMATION CONTAINED IN THIS DRAWING IS THE SOLE PROPERTY OF IRONRIDGE.  
 ANY REPRODUCTION IN PART OR AS A WHOLE WITHOUT THE WRITTEN PERMISSION OF IRONRIDGE IS PROHIBITED.

DO NOT SCALE DRAWING