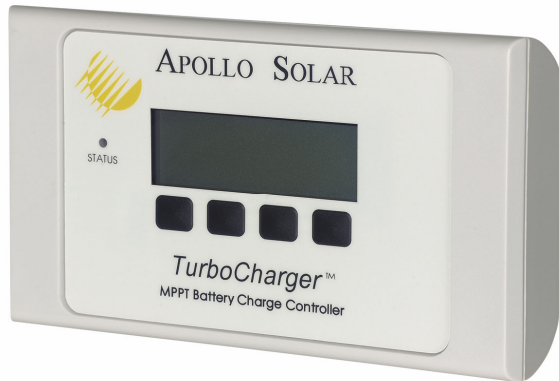




Remote Data Display



Displays comprehensive status of PV Array, Controller, and Battery System

- **Battery State of Charge (SOC) displayed as Bar-Graph, and Amp-Hours Remaining.**
- **PV current and voltage**
- **Battery charge/discharge Amps**
- **Over a year of system history with an SD Memory Card (included)**
- **Use SD card data for PC graphs**

Low-cost serial data/power from the TurboCharger up to 1000 ft CAT5 wire

Wall-mountable Desktop enclosure

Transflective LCD with Backlight

Wired Remote Display RD-Wired

for T80 & T80HV
TurboCharger™
80Amp Charge Controller

Monitor the PV-Battery System from Anywhere

The Displays provide Battery-System Management in a convenient, portable package. See what the PV array, Charge Controller, Batteries, and Load are doing at any moment. You can also check the results for each day for the last year.

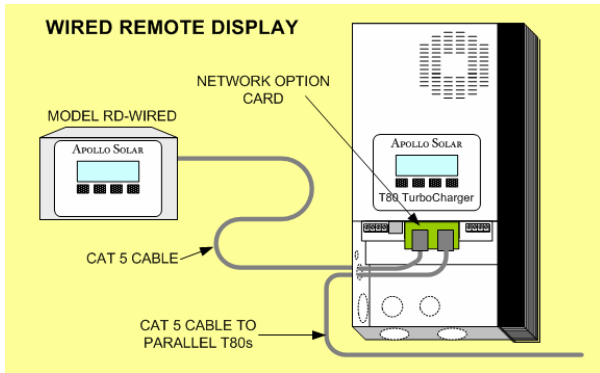
Battery Energy-Monitor Display Is Essential

The *TurboChargers™* includes a built-in Energy Monitor using TriMetric™ Technology from Bogart Engineering. The monitor tracks power production and consumption, and then calculates the energy remaining in the battery. State-of-Charge (SOC) is displayed in Amp-Hours remaining, and Bar-Graph format, an easy-to read “gas gauge” essential for battery-based systems. The *TurboCharger™* records 90 days of historical data on energy production and usage. The Remote Display shows all the information at a glance in one convenient location, storage is expanded to a year using the SD Memory Card.

Simple installation – easy Set-Up

The wired Remote Display is plug-and-play, and can be added to any *TurboCharger™* in the field. The Network Option Card provides the data and power for the Remote Display utilizing CAT5 cable.


SPECIFICATIONS



CAT5 port on *TurboCharger™* Network Option Card provides 12 volts to power the Remote Display.

Cable Type CAT 5
 Maximum cable length..... 300m (1000 ft)

Display type	LCD 4 lines 20 characters Transflective with backlight
<i>TurboCharger™</i> Data Displayed.....	SOC bar graph, Amp-hours remaining, PV Input Voltage & Current, Battery Voltage & Current, Net battery charge / discharge current, System charging history up to a year
Data Storage	A full year of data from up to 16 parallel TurboChargers.
Multiple Displays	Up to 16 Wireless or up to 2 Wired Remote Displays may be added to any TurboCharger or network of parallel TurboChargers.
Unit dimensions	18.5cm X 11cm X 6cm (7.3" X 4.3" X 2.4") Width X Height X Depth
Shipping dimensions	28cm X 20cm X 18cm (11" X 8" X 7")
Weight	RD-Wired: 318gm (12oz) RD-100, RD-300: 635gm (1.4lbs)
Warranty	5 year Limited Warranty
Environmental rating	Indoor Type 1 (Not intended for use in extremely damp locations)
SD Memory Card	Up to 2.0 GB, FAT16 file format



APOLLO SOLAR
 23 Francis J. Clarke Circle
 Bethel, CT 06801
 (203) 790-6400
www.ApolloSolar.com

Specifications are subject to change without notice. Sept. 2009



DC Power Systems
 (800) 967-6917
www.dcpower-systems.com