

Accessories



Conduit Mounts - for Composition or Shake
All Aluminum Mounts available in
Mill, Bronze or **Clear** Anodized Finish

Tools:
1/2" Deep Socket
Roofers Bar
Torque Register Socket Driver

All Specs, Instructions, Product Data is online at:

www.quickmountpv.com

510-652-6686

all rights reserved : multiple patents pending : copywrite 2008

Product List

QMSC A 12	Composition Mounts Mill Finish 12" x 12"
QMSC B 12	Composition Mounts Bronze Anodized 12" x 12"
QMSC C 12	Composition Mounts Clear Anodized 12" x 12"
QMLC A 12	Shake Mounts Mill Finish 18" x 18"
QMLC B 12	Shake Mounts Bronze Anodized 18" x 18"
QMLC C 12	Shake Mounts Clear Anodized 18" x 18"
QMCC A 12	Comp Conduit Mounts Mill Finish 8" x 12"
QMCC B 12	Comp Conduit Mounts Bronze Anodized 8" x 12"
QMCC C 12	Comp Conduit Mounts Clear Anodized 8" x 12"
QMLCC A 12	Shake Conduit Mounts Mill Finish 8" x 18"
QMLCC B 12	Shake Conduit Mounts Bronze Anodized 8" x 18"
QMLCC C 12	Shake Conduit Mounts Clear Anodized 8" x 18"
QMFT T 12	Flat Tile Mounts 12" x 17"
QMCT L 12	Curved Tile Mounts 18" x 18"
QMTMH A 12	Tile Mount Hardware
QMEXT 2.5 A 12	2 1/2" Height Extensions with Hardware
QMEXT 3.25 A 12	3 1/4" Height Extensions with Hardware
QMEXT 4.0 A 12	4" Height Extensions with Hardware
QMRB 1	Flat Roofing Bar
QMDS .50 1	1/2" Deep Socket
QMSA .375 1	Socket Adapter
QMBT 1 1	Butyl Tape
QMTW 1	Torque Register Socket Driver



(800) 967-6917

www.dcpower-systems.com

Quick Mount PV™
Your *Solution* in Mounting Products
Solar • H₂O • Conduit • HVAC • Custom



**The ALL-IN-ONE
Waterproof Flashing & Mount
For Engineers & Installers
who DEMAND:**

**NRCA'S Standards & Best Practices
Code Compliance**

**Extended Lifespan
Labor Savings**

No Roof Cutting

Works with ALL Racks

www.quickmountpv.com

Composition Mounts



Photo Courtesy of Sky Power Systems Inc.

QMSC-A 12" x 12" Composition Mount

Designed for Quick & Easy Retrofitting
 All Aluminum Construction
 All Stainless Steel Hardware
 All Hardware *Included*
 Flashing Meets or Exceeds
 Minimum Standards of:
 NRCA, SMACNA, ARMA, & NFPA



Lag pull-out (withdrawal) capacities (lbs) in typical lumber:

Lag screw specifications

	Specific gravity	5/16" shaft* 3" thread depth	5/16" shaft* 1" thread depth
Douglas Fir, Larch	.50	798	266
Douglas Fir, South	.46	705	235
Engelmann Spruce, Lodgepole Pine (MSR 1650 f & higher)	.46	705	235
Hem, Fir	.43	636	212
Hem, Fir. (North)	.46	705	235
Southern Pine	.55	921	307
Spruce, Pine, Fir	.42	615	205
Spruce, Pine, Fir (E of 2 million psi and higher grades of MSR and MEL)	.50	798	266

Shake Mounts



Photo Courtesy of REgrid Power

QMLC-A 18" x 18" Shake Mount

Shake Mounts are structurally the same as the Composition Mounts
 The Flashing portion is larger because the exposure is larger.
 As the paper in a Shake Roof is the actual water proofing, the Flashing must extend under one course of shakes plus extend under the paper of the next course of shakes to be waterproof.

Conduit Mounts



Photo Courtesy of Fidelity Roof Co

QMCC-A 8" x 12" Conduit Mount

Quickly & Simply

Flashes the penetration of the conduit
 Allows water and debris to pass under
 Lifts conduit off the roof relieving direct heat transfer from roof to wiring.

Tile Mounts



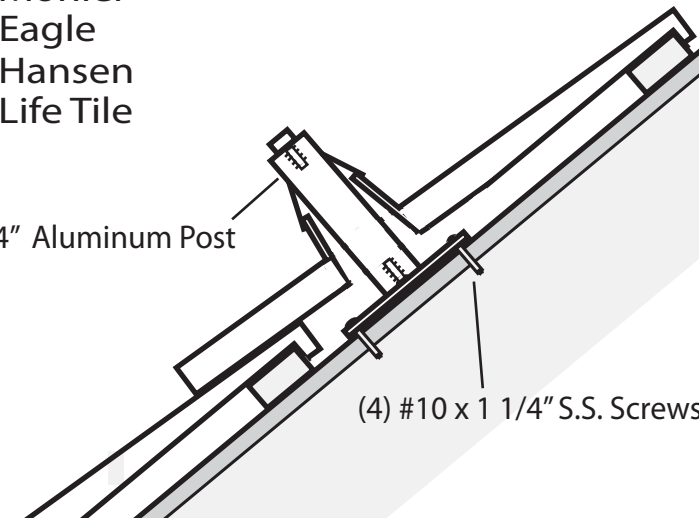
Photo Courtesy of Fidelity Roof Co

QMFT-T 12" x 17" Flat Concrete Tile Mount

Designed to Replace an Existing Flat Concrete Tile
 No More Concrete Cutting or Drilling on the Roof
 No More Awkward Custom Flashings
 Fully compatible with:

Monier
 Eagle
 Hansen
 Life Tile

1 1/4" Aluminum Post



(4) #10 x 1 1/4" S.S. Screws