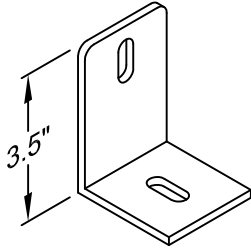


STANDARD FEET

- .188" aluminum

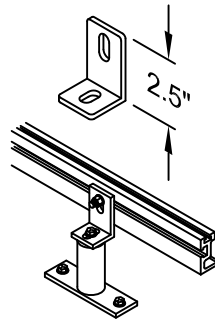


These are the standard mounting feet supplied with POWER RAILS. They hold the bottom of the module 2.6" above the roof.

**Retail Price: \$9.00 ea.**

POWER POST BRACKET

- .188" aluminum

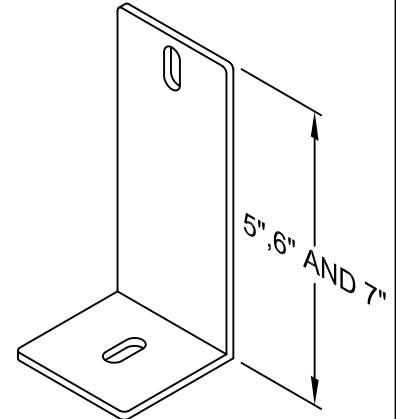


Use on top of Power Post to attach to side slot in POWER RAIL. Vertical slot in bracket helps to level and align arrays.

**Retail Price: \$8.50 ea.**

TALL FEET

- .188" aluminum

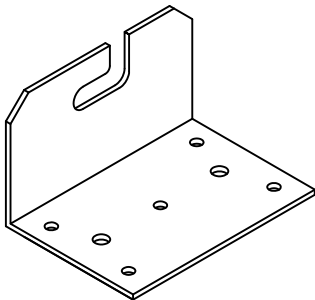


Use when more clearance is needed between roof and modules. Vertical slot helps to level and align arrays. Other heights available.

Retail Price 5": \$11.00 ea.  
Retail Price 6": \$12.00 ea.  
Retail Price 7": \$13.00 ea.

DROP-IN EASY FEET

- .188" aluminum

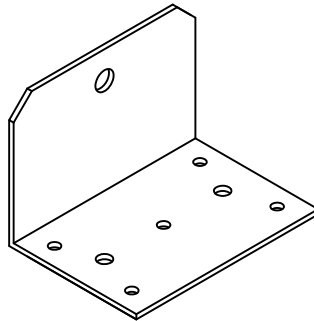


Use on sloped roofs. Pin attached to Power Rail drops into slot. Supplied with butyl mastic on bottom and Roof Grip screws

**Retail Price: \$22.00 ea.**

PIVOT EASY FEET

- .188" aluminum

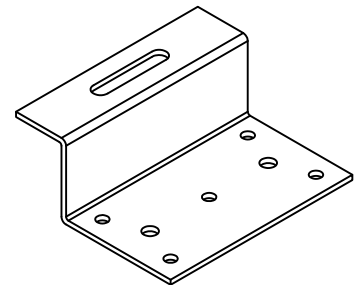


Good when you can't hit roof rafters. Supplied with butyl mastic on bottom and Roof Grip screws

**Retail Price: \$20.00 ea.**

Z EASY FEET

- .188" aluminum



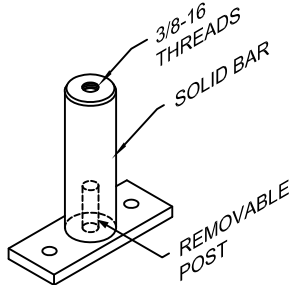
Use directly with POWER RAIL or for runs of strut-channel with POWER RAIL on top. Supplied with butyl mastic on bottom and Roof Grip screws.

**Retail Price: \$18.00 ea.**

# MOUNTING OPTIONS

## SMALL POST

- all aluminum (6061-T6)
- 1" diameter



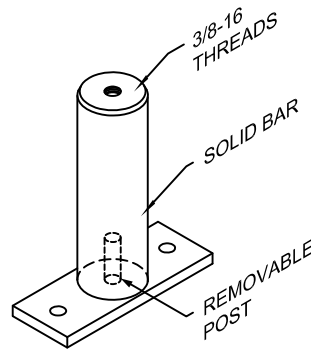
Use with cone flashing. Attach to bottom flange of POWER RAIL or use Power Post Bracket.

**Retail Price:**

- 3" \$16.50
- 4" \$16.75
- 5" \$17.00

## POWER POST

- all-aluminum (6061-T6)
- 1.313" dia.
- .25"x1.5"x4" base



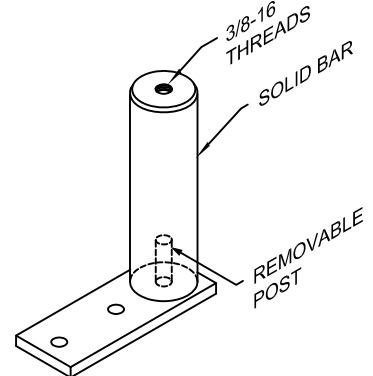
Use with cone flashing. Attach to bottom flange of POWER RAIL or use Power Post Bracket.

**Retail Price:**

- 3" \$20.50      6" \$22.00
- 4" \$21.00      7" \$23.00
- 5" \$21.50

## OFFSET POWER POST

- all aluminum
- 1-5/16" diameter



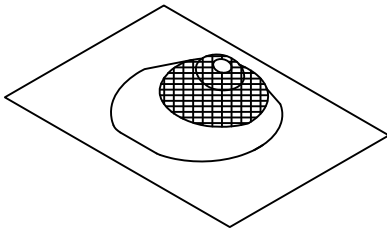
Use with cone flashing. Attach to bottom flange of POWER RAIL or use Power Post Bracket.

**Retail Price:**

- 3" \$20.50      6" \$22.00
- 4" \$21.00      7" \$23.00
- 5" \$21.50

## OATEY SOLAR FLASHING

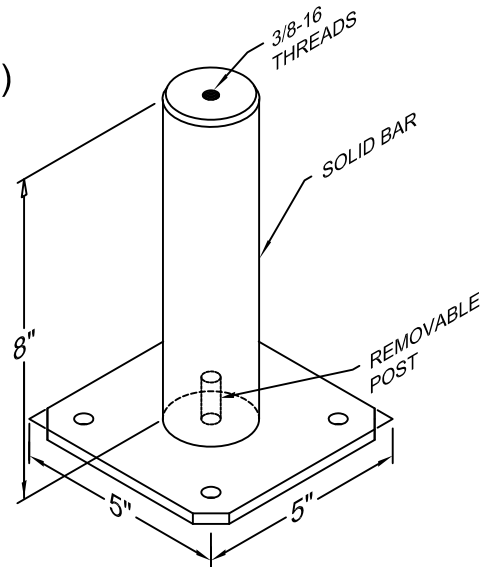
- Galvanized
- Works with Small Post and Power Post (1" and 1.313" diameter)



**Retail Price: \$9.50 ea.**

## SUPER POST

- all aluminum (6061-T6)
- 1-7/8" diameter 8" tall (other lengths available)



Use with cone flashing. Attach to bottom flange of POWER RAIL or use Power Post Bracket.

**Retail Price: \$42.00 ea.**